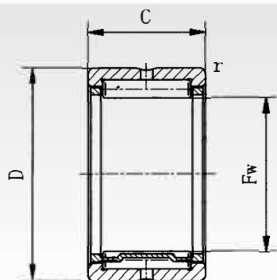
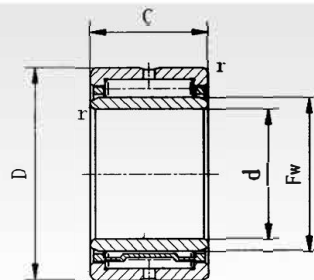


# 标准实体套圈滚针轴承 ( 公制 )

Standard Series Needle Roller Bearings



RNA48

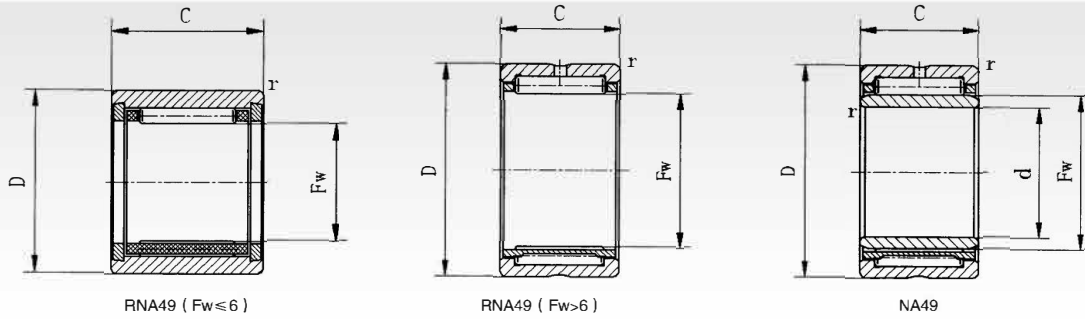


NA48

轴承型号 Bearing Designation 带内圈 With Inner	重量 Mass (g)	轴承型号 Bearing Designation 无内圈 Without Inner	重量 Mass (g)	外形尺寸(mm) Boundary Dimensions					允许 偏移 (s)	额定负荷(kN) Basic Load Rating		极限转速 Limiting Speed (rpm)
				d	Fw	D	C	r <sub>min</sub>		动 C Dynamic	静 Co Static	
NA4822	1110	RNA4822	670	110	120	140	30	1	0.8	74.8	168	2640
NA4824	1170	RNA4824	730	120	130	150	30	1	0.8	79.6	186.4	2480
NA4826	1820	RNA4826	950	130	145	170	35	1.1	1	94.4	244	2240
NA4828	1600	RNA4828	1020	140	155	175	35	1.1	1	96.8	252	2080
NA4830	2720	RNA4830	1600	150	165	190	40	1.1	1.5	121.6	312	1920
NA4832	2900	RNA4832	1700	160	175	200	40	1.1	1.5	128	340	1840
NA4834	3990	RNA4834	2540	170	185	215	45	1.1	1.5	148	396	1760
NA4836	4190	RNA4836	2680	180	195	225	45	1.1	1.5	156	432	1680
NA4838	5620	RNA4838	3210	190	210	240	50	1.5	1.5	181.6	544	1520
NA4840	5840	RNA4840	3350	200	220	250	50	1.5	1.5	184.8	564	1440
NA4844	6370	RNA4844	3620	220	240	270	50	1.5	1.5	193.6	616	1360
(NA4848)	10000	(RNA4848)	5400	240	265	300	60	2	2	288	864	1200
(NA4852)	10800	(RNA4852)	5800	260	285	320	60	2	2	300	928	1120
(NA4856)	15500	(RNA4856)	9300	280	305	350	69	2	2.5	364	1040	1040
(NA4860)	22000	(RNA4860)	12700	300	330	380	80	2.1	2	500	1416	960
(NA4864)	23200	(RNA4864)	13400	320	350	400	80	2.1	2	512	1480	880
(NA4868)	24100	(RNA4868)	14000	340	370	420	80	2.1	2	524	1552	880
(NA4872)	25700	(RNA4872)	14800	360	390	440	80	2.1	2	532	1616	800
(NA4876)	44500	(RNA4876)	26000	380	415	480	100	2.1	2	800	2272	760

# 标准实体套圈滚针轴承 (公制)

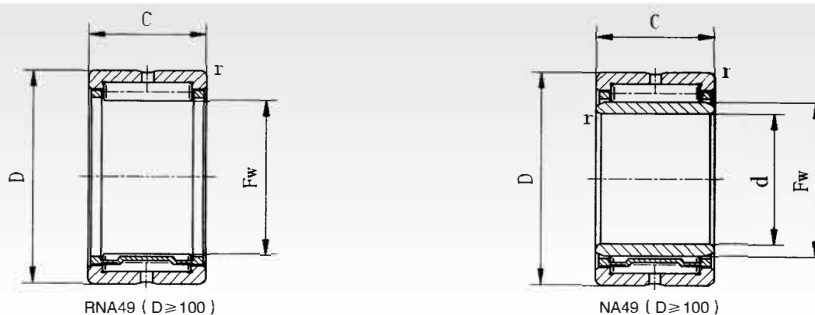
Standard Series Needle Roller Bearings



轴承型号 Bearing Designation 带内圈 With Inner	重量 Mass (g)	轴承型号 Bearing Designation 无内圈 Without Inner	重量 Mass (g)	外形尺寸(mm) Boundary Dimensions					允许 偏移 (s)	额定负荷(kN) Basic Load Rating		极限转速 Limiting Speed (rpm)
				d	Fw	D	C	r <sub>min</sub>		动 C Dynamic	静 Co Static	
		RNA493TN	4.6		5	11	10	0.15		1.96	1.57	32000
		RNA494TN	5.3		6	12	10	0.15		2.2	1.8	30000
NA495	7.3	RNA495	5.9	5	7	13	10	0.15	0.5	2.24	2.02	27200
NA496	9.1	RNA496	7.4	6	8	15	10	0.15	0.5	3.14	2.62	25600
NA497	11.2	RNA497	9.3	7	9	17	10	0.15	0.5	3.44	2.77	24000
NA498	15	RNA498	12.6	8	10	19	11	0.2	0.5	4.71	3.82	22400
NA499	16.7	RNA499	13.6	9	12	20	11	0.3	0.5	5.02	4.79	20800
NA4900	24	RNA4900	16.5	10	14	22	13	0.3	0.5	6.88	7.36	19200
NA4901	26.5	RNA4901	18.1	12	16	24	13	0.3	0.5	7.64	8.72	18400
		RNA49/14	19.9		18	26	13	0.3		8.64	10.48	16000
NA4902	36	RNA4902	22	15	20	28	13	0.3	0.5	8.24	10.24	16000
NA4903	37	RNA4903	22	17	22	30	13	0.3	0.5	8.96	11.68	14400
NA4904	74	RNA4904	52	20	25	37	17	0.3	0.8	17.04	20.4	12800
NA49/22	80	RNA49/22	50	22	28	39	17	0.3	0.8	18.56	23.44	11200
NA4905	88	RNA4905	61	25	30	42	17	0.3	0.8	19.2	25.2	10400
NA49/28	98	RNA49/28	73	28	32	45	17	0.3	0.8	19.84	26.8	10400
NA4906	101	RNA4906	69	30	35	47	17	0.3	0.8	20.4	28.4	8800
NA49/32	157	RNA49/32	89	32	40	52	20	0.6	0.8	25.2	38	8000
NA4907	171	RNA4907	107	35	42	55	20	0.6	0.8	25.6	40	7600
		RNA49/38	120		45	58	20	0.6		27.44	44.56	7200
NA4908	232	RNA4908	140	40	48	62	22	0.6	1	34.8	53.2	6800
		RNA49/42	174		50	65	22	0.6		37.42	57.28	6400
NA4909	232	RNA4909	182	45	52	68	22	0.6	1	36.8	58.4	6000
		RNA49/48	188		55	70	22	0.6		36.08	62.32	6000
NA4910	276	RNA4910	163	50	58	72	22	0.6	1	38.4	64	5600
		RNA49/52	205		60	75	22	0.6		38.4	68.36	5200
NA4911	396	RNA4911	255	55	63	80	25	1	1.5	46.8	79.6	5200
		RNA49/58	275		65	82	25	1		48.08	82.4	4800
NA4912	427	RNA4912	275	60	68	85	25	1	1.5	49.2	86.4	4800
		RNA49/62	320		70	88	25	1		50.16	88.8	4400
NA4913	454	RNA4913	312	65	72	90	25	1	1.5	50	89.6	4400

# 标准实体套圈滚针轴承 (公制)

Standard Series Needle Roller Bearings



RNA49 (D ≥ 100)

NA49 (D ≥ 100)

轴承型号 Bearing Designation 带内圈 With Inner	重量 Mass (g)	轴承型号 Bearing Designation 无内圈 Without Inner	重量 Mass (g)	外形尺寸(mm) Boundary Dimensions					允许 偏移 (s)	额定负荷(kN) Basic Load Rating		极限转速 Limiting Speed (rpm)
				d	Fw	D	C	r <sub>min</sub>		动 C Dynamic	静 Co Static	
		RNA49/68	470		75	95	30	1		65.2	120	4400
NA4914	727	RNA4914	460	70	80	100	30	1	1.5	68.4	124.8	4000
NA4915	776	RNA4915	489	75	85	105	30	1	1.5	69.6	129.6	3760
NA4916	820	RNA4916	516	80	90	110	30	1	1.5	72.4	139.2	3520
		RNA49/82	575		95	115	30	1		73.44	152	3200
NA4917	1240	RNA4917	657	85	100	120	35	1.1	1	89.6	189.6	3200
NA4918	1310	RNA4918	697	90	105	125	35	1.1	1	92.8	201.6	3040
NA4919	1360	RNA4919	719	95	110	130	35	1.1	1	94.4	208	2880
NA4920	1930	RNA4920	1150	100	115	140	40	1.1	2	101.6	208	2800
NA4922	2080	RNA4922	1240	110	125	150	40	1.1	2	104.8	223.2	2560
NA4924	2840	RNA4924	1860	120	135	165	45	1.1	2	144	304	2400
NA4926	3900	RNA4926	2210	130	150	180	50	1.5	1.5	161.6	364	2160
NA4928	4050	RNA4928	2350	140	160	190	50	1.5	1.5	167.2	388	2000
NA4930	6380	RNA4930	4090	150	170	210	60	2	1.5	208.8	488	1920
NA4932	6750	RNA4932	4310	160	180	220	60	2	1.5	216	520	1760
NA4934	7110	RNA4934	4530	170	190	230	60	2	1.5	223.2	552	1680
NA4936	10200	RNA4936	6250	180	205	250	69	2	1.5	300	712	1600
NA4938	10700	RNA4938	6500	190	215	260	69	2	1.5	312	756	1520
(NA4940)	15400	(RNA4940)	10400	200	225	280	80	2.1	1.5	404	944	1440
(NA4944)	16700	(RNA4944)	11200	220	245	300	80	2.1	1.5	420	1016	1280
(NA4948)	18000	(RNA4948)	12000	240	265	320	80	2.1	2	432	1080	1200
(NA4952)	31100	(RNA4952)	21200	260	290	360	100	2.1	2	644	1520	1120
(NA4956)	33100	(RNA4956)	22500	280	310	380	100	2.1	2	668	1624	1040
(NA4960)	51400	(RNA4960)	33400	300	340	420	118	3	2	864	2112	960
(NA4964)	54400	(RNA4964)	35200	320	360	440	118	3	2	896	2256	880
(NA4968)	57300	(RNA4968)	37000	340	380	460	118	3	2	928	2400	880
(NA4972)	60200	(RNA4972)	38700	360	400	480	118	3	2	960	2560	800
(NA4976)	90300	(RNA4976)	56400	380	430	520	140	4	2	1120	3000	760
(NA4980)	94400	(RNA4980)	58800	400	450	540	140	4	2.5	1160	3200	720
(NA4984)	98500	(RNA4984)	61200	420	470	560	140	4	2.5	1200	3400	680
(NA4988)	131000	(RNA4988)	86900	440	490	600	160	4	2.5	1400	3680	640